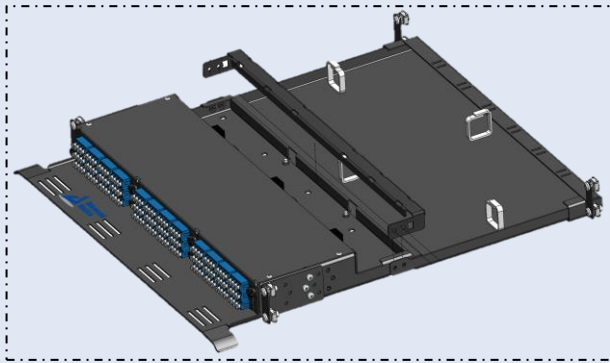


**Part Number: 125/0101**



## PRODUCT DETAILS

The Diamond Optics high density 1 RU sub-rack allows for up to 144 port LC connectivity through the front panel with removable high-density cassettes. The cassettes are available separately and come in a maximum density of 48 port LC configuration and 1 rear MTP elite 48 fibre connectors. Various forms of these are available and can be customizable depending on the customer's specific physical and optical performance criteria.

## APPLICATION

The Diamond Optics high density sub-rack is specifically designed to meet defense application connectivity requirements. The sub-rack can be provisioned with three cassettes each with 48 LC ports on the front and a single 48 fibre MTPe ports on the rear.

# High Density Modular Sub-Rack System – 1RU Panel – 3x48 MPO

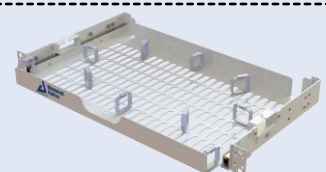
## FEATURES

- Modular with up to 3 Cassette capacity (typical 3 48 Way MTPe to LC cassettes and 1 spare with blanking panel).
- 144 LC ports (48 per cassette) designed specifically for military solution.
- 19 or 21” front or rear mounting.
- 300mm depth for half ETSI rack or 600mm for full extension tray.
- Allows modularity in functionality for optics services.
- Plug and Play, LC or MPO/MTP elite (other connector options available).
- Integrated front and optional rear extension panel fibre management.
- IEC Grade A connectivity performance (guaranteed I.L. <0.1dB for LC connectors).
- Front access for all devices.
- Rear access for MPO or MTP elite connections, 2 X24F SM & MM or 1 X 48F MM.
- Panel comes as a kit with plug in units.
- Designed and manufactured in Australia.
- This high-density system will work efficiently with Diamond Optics patented RFID cable management system.

## RELATED PRODUCTS



Modular up to 48 port LC cassettes



Fibre management / Storage tray